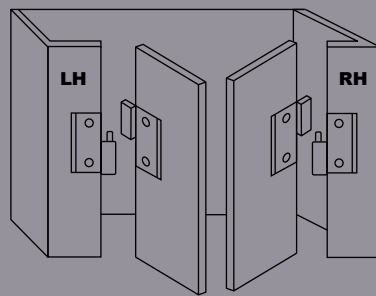


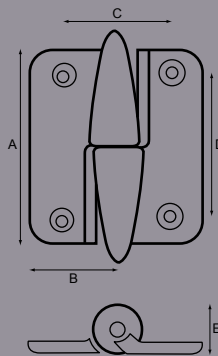


## Explanation of Handing



Note - two hinges should be fitted to each door.

## Die Cast Torpedo Hinges



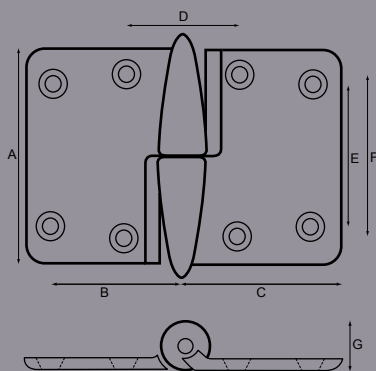
Part No.	A	B	C	D	E	F	G	H	Finish
7/10015	mm 76	30	36	51	18				Chrome Plated
7/10016	mm 76	30	36	51	18				Chrome Plated

Illustrated Part No. 7/10015 R.H. Part No. 7/10016 is L.H.

Fitted 10mm stainless steel pin.

Holes 5mm diameter - countersunk to 9mm.

## Die Cast Torpedo Hinges



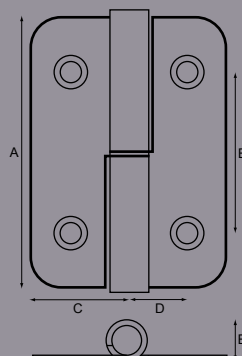
Part No.	A	B	C	D	E	F	G	H	Finish
7/4131	mm 76	42	48	35	44	51	18		Chrome Plated
7/4132	mm 76	42	48	35	44	51	18		Chrome Plated

Illustrated Part No. 7/4132 R.H. Part No. 7/4131 is L.H.

Fitted 10mm stainless steel pin.

Holes 5mm diameter - countersunk to 9mm.

## Stainless Steel Lift-Off hinges



Part No.	A	B	C	D	E	F	G	H	Finish
1442	mm100	60	37	23	15				Stainless Steel
1443	mm100	60	37	23	15				Stainless Steel

Part No.1442 (illustrated) Right Hand & Part No.1443 is Left Hand

Manufactured in grade 304 stainless steel.

Holes 10mm diameter - countersunk to 15mm.