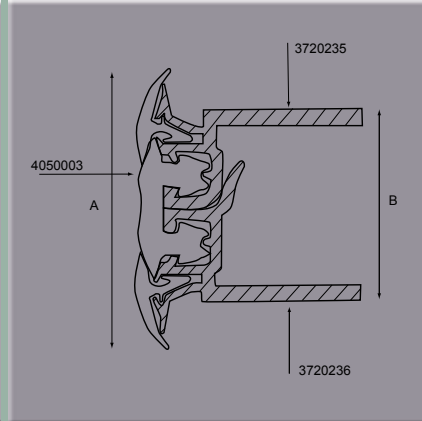




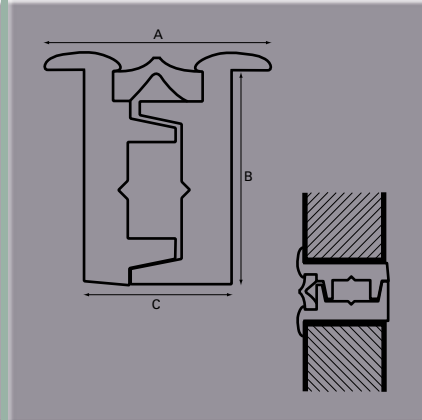
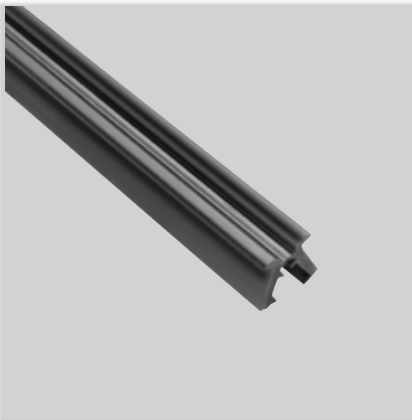
Side Locker Hinge



Part No.	A	B	C	D	E	F	G	H	Finish
3720235	mm 44	30							Anodised
3720236	mm 44	30							Anodised
4050003	mm								Black

Part No. 3720235 - Anodised aluminium top section. 3 metre length.
 Part No. 3720236 - Anodised aluminium bottom section. 3 metre length.
 Part No. 4050003 - Black EPDM insert - 50 metre coil.

Side Locker Hinge

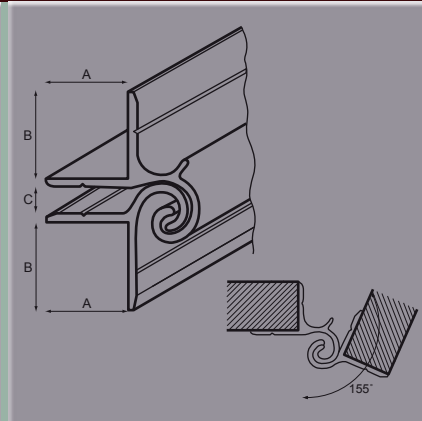


Part No.	A	B	C	D	E	F	G	H	Finish
SVF524	mm 28	23	16						Black
SVF527	mm 30	32	18						Black

Supplied in 2.5 metre lengths.

Rigid black one piece PVC extrusion with Hytrel hinge membrane.
 160° opening.

Top Flap Hinge

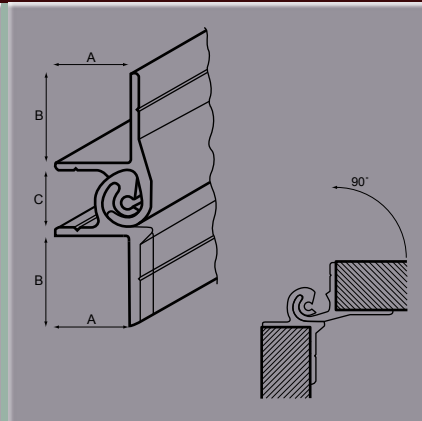


Part No.	A	B	C	D	E	F	G	H	Finish
SVF525	mm 28	28	13						Anodised

Anodised aluminium - supplied in 5 metre lengths.

Top hinge application.
 155° opening.

Bottom Flap Hinge



Part No.	A	B	C	D	E	F	G	H	Finish
SVF526	mm 25	30	27						Anodised

Anodised aluminium - supplied in 5 metre lengths.

Bottom hinge application.
 90° opening.