



+44 (0)1454 319524  
 sales@stedall.co.uk  
 www.stedall.co.uk

# Continuous Hinges

## Poliall Hinges

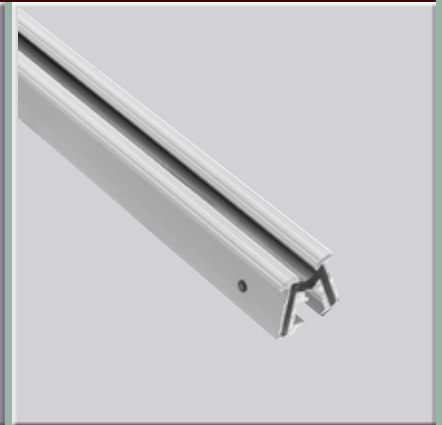
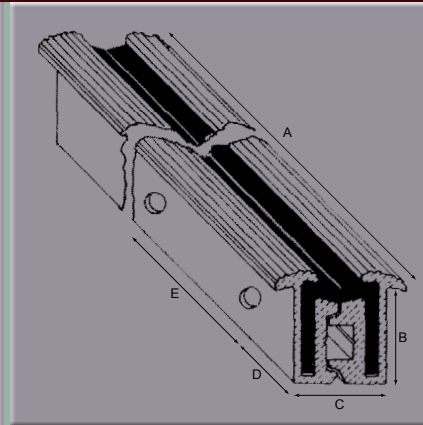
| Part No.   | A      | B  | C  | D   | E   | F | G | H | Finish   |
|------------|--------|----|----|-----|-----|---|---|---|----------|
| 0208 14391 | mm2400 | 24 | 24 | 100 | 200 |   |   |   | Anodised |
| 0208 14393 | mm2700 | 24 | 24 | 100 | 200 |   |   |   | Anodised |
| 0250 25002 | mm3000 | 24 | 24 | 100 | 200 |   |   |   | Anodised |
| 0208 14389 | mm4000 | 24 | 24 | 100 | 200 |   |   |   | Anodised |

Self coloured anodised aluminium with black polyurethane insert.

To suit 24mm panel thickness.

Hole diameter 5mm

180° opening.



## Poliall Hinges

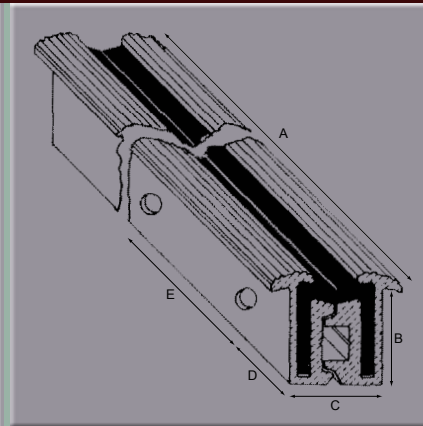
| Part No.   | A      | B  | C  | D   | E   | F | G | H | Finish   |
|------------|--------|----|----|-----|-----|---|---|---|----------|
| 0208 14392 | mm2400 | 28 | 24 | 100 | 200 |   |   |   | Anodised |
| 0208 14394 | mm2700 | 28 | 24 | 100 | 200 |   |   |   | Anodised |
| 0208 14390 | mm4000 | 28 | 24 | 100 | 200 |   |   |   | Anodised |

Self coloured anodised aluminium with black polyurethane insert.

To suit 28mm panel thickness.

Hole diameter 5mm

180° opening.



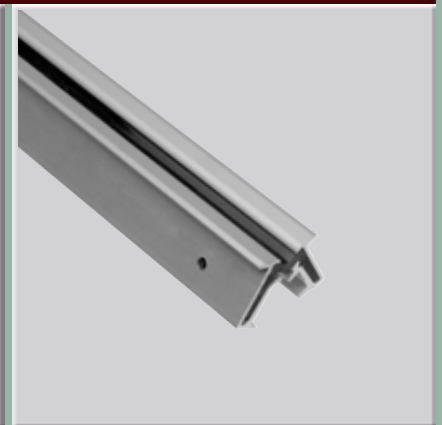
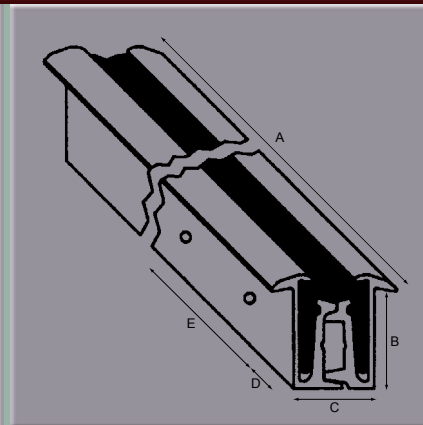
## Poliall Hinges

| Part No.   | A      | B  | C  | D   | E   | F | G | H | Finish   |
|------------|--------|----|----|-----|-----|---|---|---|----------|
| 0208 23495 | mm2400 | 29 | 24 | 100 | 200 |   |   |   | Anodised |
| 0208 23496 | mm2700 | 29 | 24 | 100 | 200 |   |   |   | Anodised |
| 0208 23497 | mm3000 | 29 | 24 | 100 | 200 |   |   |   | Anodised |
| 0208 23498 | mm3200 | 29 | 24 | 100 | 200 |   |   |   | Anodised |
| 0208 23499 | mm4000 | 29 | 24 | 100 | 200 |   |   |   | Anodised |

Self coloured anodised aluminium with black polyurethane insert.

Hole diameter 5mm.

180° opening.



## Poliall Hinges

| Part No.   | A      | B  | C  | D | E | F | G | H | Finish   |
|------------|--------|----|----|---|---|---|---|---|----------|
| 0208 21095 | mm3000 | 28 | 24 |   |   |   |   |   | Anodised |

Self coloured anodised aluminium with black polyurethane insert.

To suit 28mm panel thickness.

Undrilled.

270° opening.

