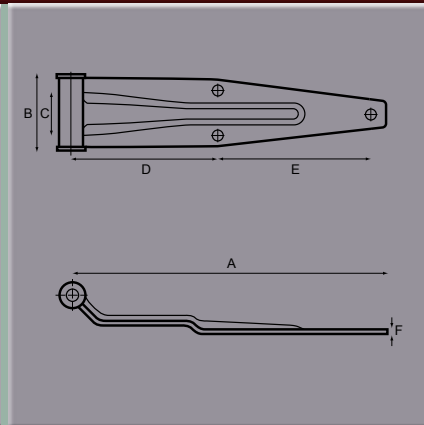




## Fluted Hinges



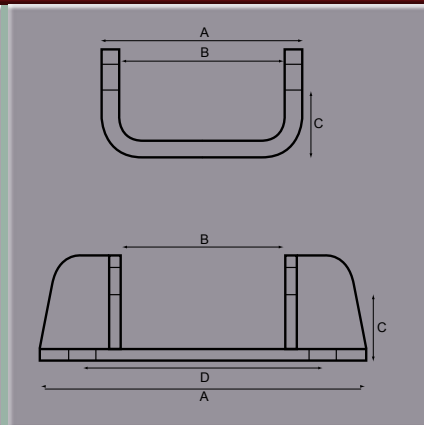
Part No.	A	B	C	D	E	F	G	H	Finish
<b>H21286</b>	mm312	74	45	145	153	4			Zinc Plated
<b>H19980</b>	mm312	74	45	145	153	5			Zinc Plated

Hinge fitted with nylatron bushes

Fixing holes 10mm diameter

Both hinges require either Part No. 21286BWO or Part No. 21286 BBO

## Hinge Brackets

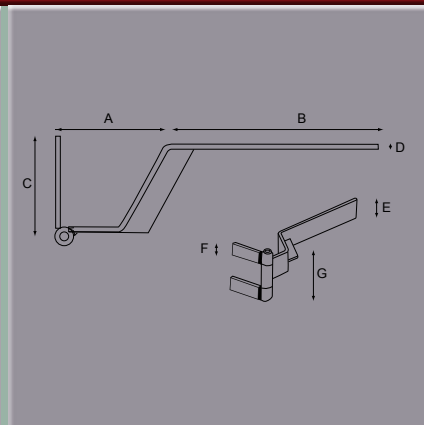


Part No.	A	B	C	D	E	F	G	H	Finish
<b>21286BWO</b>	mm 92	76	38					weld on	Self Colour
<b>21286BBO</b>	mm150	76	38	121				bolt on	Zinc Plated

Both brackets supplied with zinc plated nut and bolt

For use with hinge blades Part No. H21286 and Part No. H19980

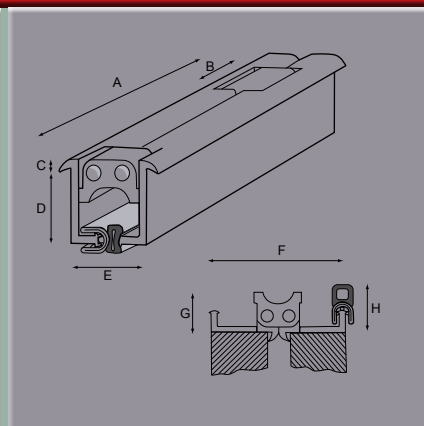
## Tail Lift Hinge



Part No.	A	B	C	D	E	F	G	H	Finish
<b>RH007ZP</b>	mm150	320	160	8	68	15	140		Zinc Plated Steel

270° Tail Lift Hinge

## Continuous Hinge



Part No.	A	B	C	D	E	F	G	H	Finish
<b>2744400</b>	mm 2000	70	3.5	24	25	57	17	20	Anodised
<b>2744401</b>	mm 2500	70	3.5	24	25	57	17	20	Anodised

180° Opening Hinge

Self coloured anodised aluminium