



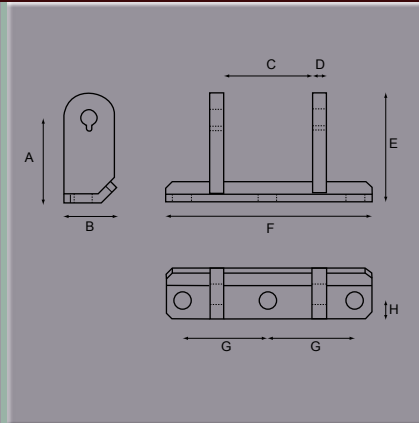
+44 (0)1454 319524  
 sales@stedall.co.uk  
 www.stedall.co.uk

# Rear Door Hinges

## Bolt On Hinge Bracket

Part No.	A	B	C	D	E	F	G	H	Finish
<b>0704 22219</b>	mm 50	31	51	8	65	120	50	11	Zinc Plated Steel

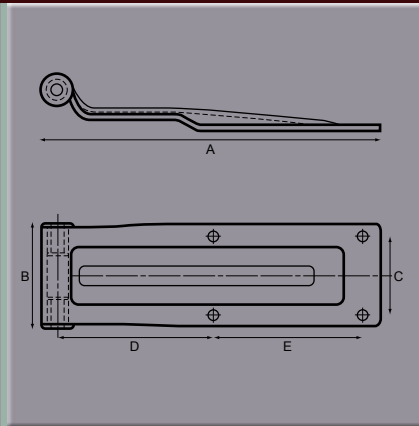
Fixing hole diameters 10.5mm  
 Supplied complete with nut & bolt



## Square End Hinge

Part No.	A	B	C	D	E	F	G	H	Finish
<b>0701 20783</b>	mm274	84	64	126	121				Stainless Steel

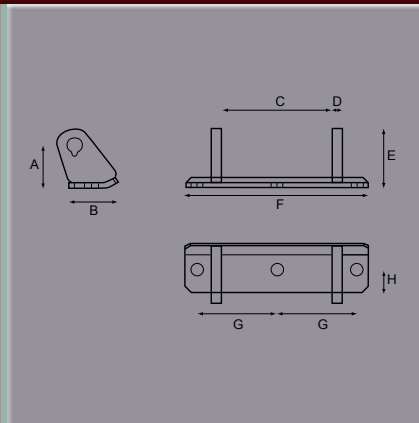
Material thickness 4mm.  
 Fixing holes 8.5mm diameter.  
 For use with Part No. 0703 22463A bracket. 270° opening.



## Bolt On Hinge Bracket

Part No.	A	B	C	D	E	F	G	H	Finish
<b>0703 22463A</b>	mm 33	37	84	8	45	140	61	17	Stainless Steel

Fixing hole diameter 9mm  
 Supplied complete with nut & bolt



## Fluted Hinge

Part No.	A	B	C	D	E	F	G	H	Finish
<b>8400</b>	mm320	300	80	55	145				Stainless Steel

Hinge Part No. 8400 is supplied complete with bolt on bracket, pin and cotter.  
 Material thickness 3mm.  
 Fixing holes 10.5 diameter.

