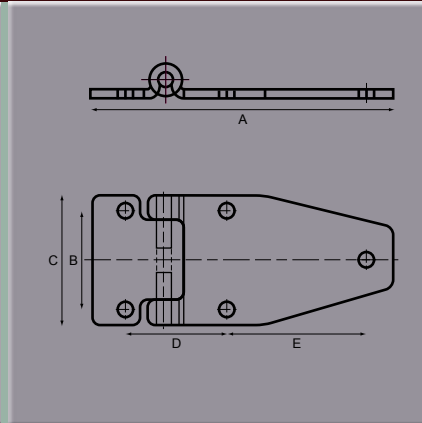




## Back Flap Hinge



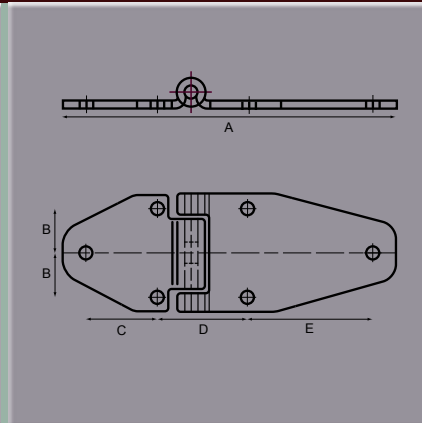
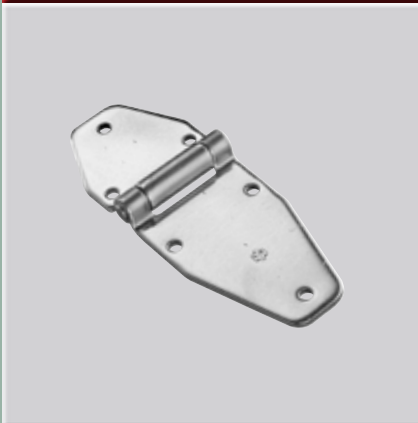
Part No.	A	B	C	D	E	F	G	H	Finish
<b>276</b>	mm151	50	65	51	70				Stainless Steel
<b>277</b>	mm151	50	65	51	70				Zinc Plated

Material thickness 4mm.

Fixing holes 6.5mm diameter.

180° opening.

## Back Flap Hinge



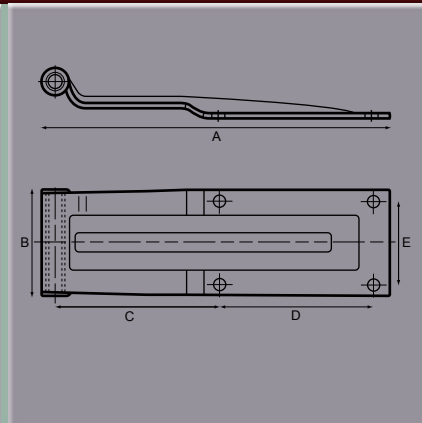
Part No.	A	B	C	D	E	F	G	H	Finish
<b>H12686ZP</b>	mm187	25	40	51	70				Zinc Plated
<b>H21921SS</b>	mm187	25	40	51	70				Stainless Steel

Both hinges fitted with metaloplast self lubricating bushes.

Material thickness 4mm.

Fixing holes 6.5mm diameter.

## Square End Hinge



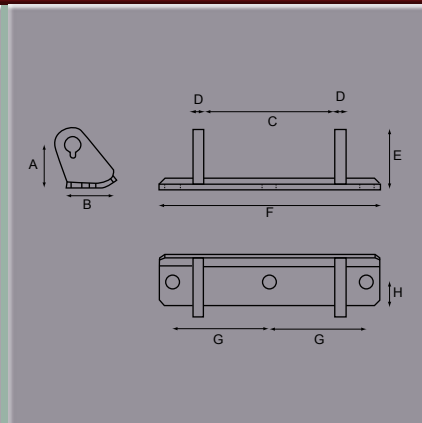
Part No.	A	B	C	D	E	F	G	H	Finish
<b>0701 20776</b>	mm312	96	147	138	76				Stainless Steel

Material thickness 4mm.

Fixing holes 10.5mm diameter.

For use with Part No. 0703 22408B bracket. 270° opening.

## Bolt On Hinge Bracket



Part No.	A	B	C	D	E	F	G	H	Finish
<b>0703 22408B</b>	mm 33	29	96	8	45	162	71	17	Stainless Steel

Fixing hole diameter 10mm

Supplied complete with nut & bolt