



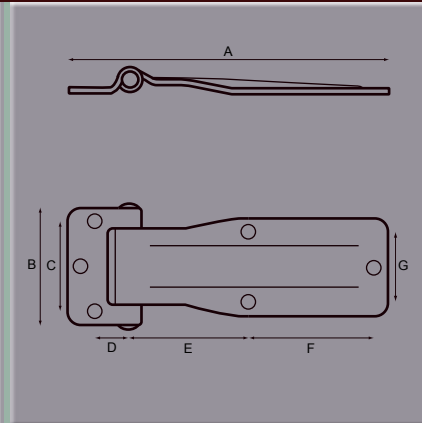
+44 (0)1454 319524
 sales@stedall.co.uk
 www.stedall.co.uk

Low Profile Hinges

Low Profile Hinge

Part No.	A	B	C	D	E	F	G	H	Finish
H02381	mm230	85	65	25	85	90	50		Zinc Plated
0708 02380	mm230	85	65	25	85	90	50		Stainless Steel

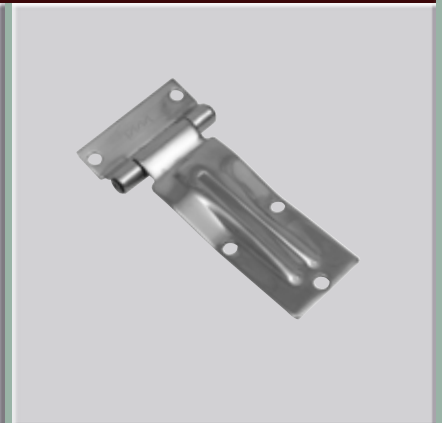
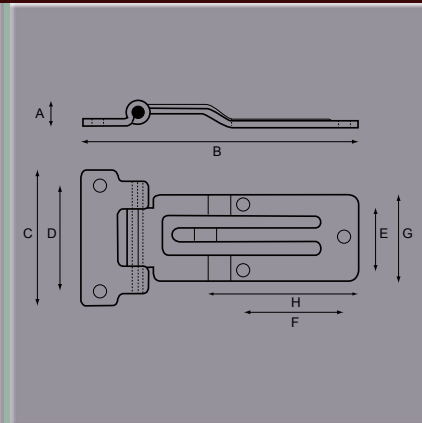
Material thickness 4mm
 Fixing holes 10.5mm diameter



Cranked Door Hinge

Part No.	A	B	C	D	E	F	G	H	Finish
SH005SS	mm 17	180	85	71	41	55	55	73	Stainless Steel

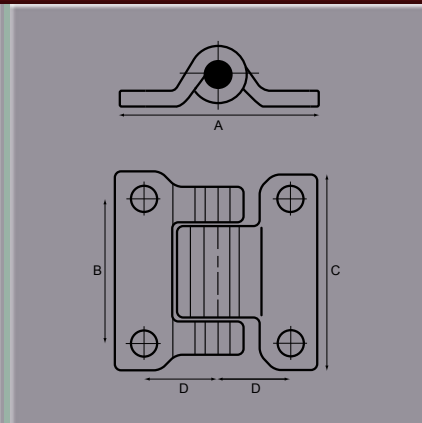
180° Door hinge - cranked
 Material thickness 4mm
 Fixing Holes 8.5mm Diameter



Multi-Purpose Hinge

Part No.	A	B	C	D	E	F	G	H	Finish
20809	mm 60	44	59	22					Stainless Steel

Material thickness 4mm
 Fixing holes 6.5mm diameter



Visit our website

www.stedall.co.uk

to see our latest new products