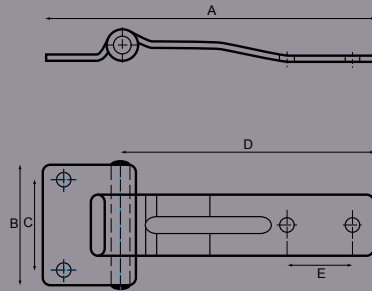




Low Profile Hinge



Part No.	A	B	C	D	E	F	G	H	Finish
0708 22750	mm151	56	42	116	30				Stainless Steel

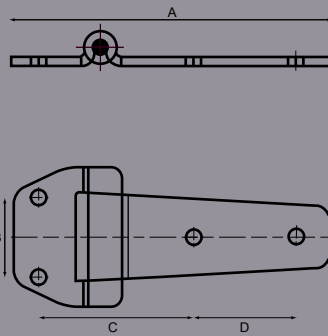
Fitted with metaloplast self lubricating bushes.

Fixing holes 6.5mm diameter.

Material thickness 3mm.

180° opening.

Hinge



Part No.	A	B	C	D	E	F	G	H	Finish
H10489SS	mm141	37	68	45					Stainless Steel

H10490ZP	mm141	37	68	45					Zinc Plated
-----------------	-------	----	----	----	--	--	--	--	-------------

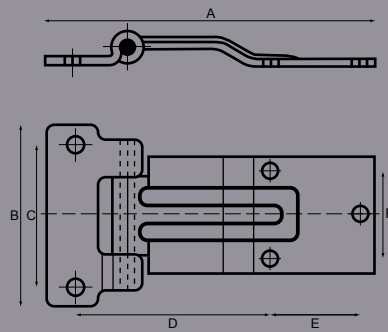
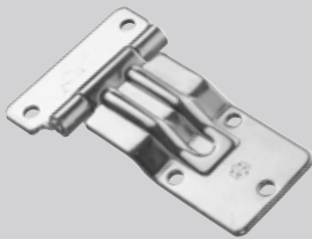
Both hinges fitted with metaloplast self lubricating bushes.

Fixing holes 6.5mm diameter.

Material thickness 4mm.

180° opening.

Low Profile Hinge



Part No.	A	B	C	D	E	F	G	H	Finish
0708 22015	mm172	96	76	102	47	46			Stainless Steel

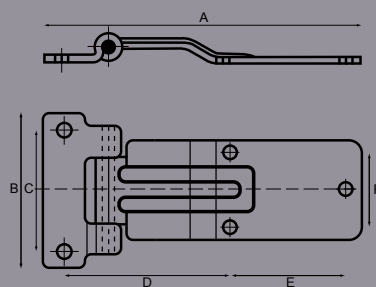
Hinge fitted with metaloplast self lubricating bushes.

Fixing holes 8.5mm diameter.

Material thickness 4mm.

180° opening.

Low Profile Hinge



Part No.	A	B	C	D	E	F	G	H	Finish
0708 22017	mm207	96	76	102	80	46			Stainless Steel

Hinge fitted with metaloplast self lubricating bushes.

Fixing holes 8.5mm diameter.

Material thickness 4mm.

180° opening.