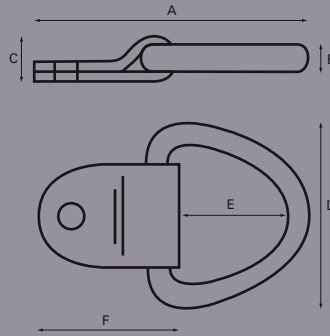




Tie - Down Ring

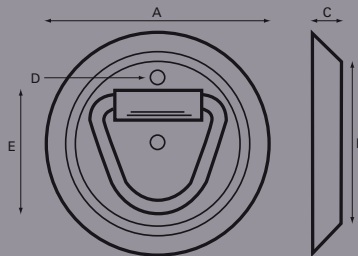


Part No.	A	B	C	D	E	F	G	H	Finish
300C	mm 80	7	12	62	40	33			Zinc Plated

Pull strength 650kgs.

Fixing hole 10mm diam.

Tie - Down Ring



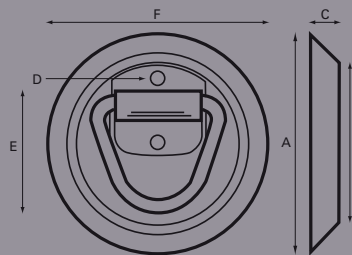
Part No.	A	B	C	D	E	F	G	H	Finish
300F	mm113	73	13	6	55				Black Plastic

Pull strength 650kgs.

A high impact black plastic ring, specially designed for G.R.P panels. The steel ring insert has a special anti rattle feature located on the ring.

Steel parts are zinc plated.

Tie - Down Ring

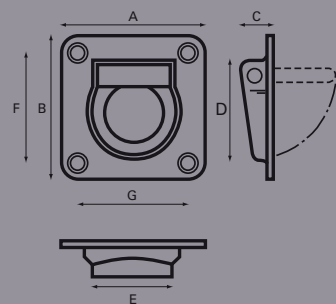
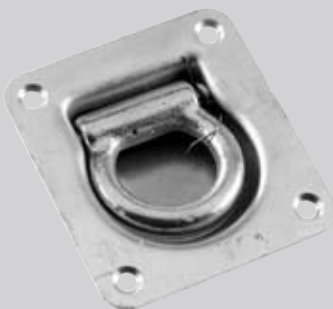


Part No.	A	B	C	D	E	F	G	H	Finish
39R	mm -	-	-	6	55	90			Zinc Plated

Pull strength 530 kgs

Ring holder welded in recessed cup eliminates any projections. A black plastic ring for "plant on" fixing is available (as shown in photograph).

Recessed Lashing Ring



Part No.	A	B	C	D	E	F	G	H	Finish
310	mm 95	101	22	70	65	80	73		Zinc Plated

Pull strength 500kgs

Fitted with anti-rattle spring.