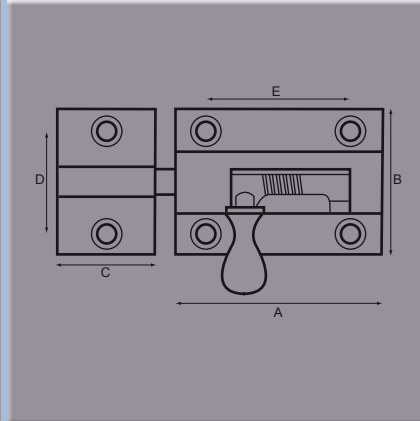




Socket Bolts

Part No.	A	B	C	D	E	F	G	H	Finish
1787-1	mm 37	28	12	21	26				Chrome Plated

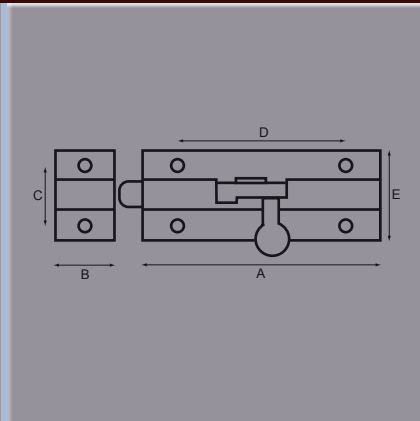
Spring loaded



Socket Bolts

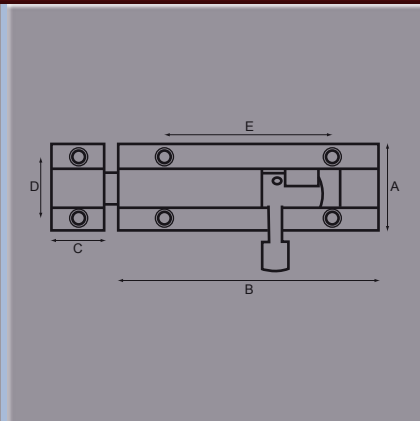
Part No.	A	B	C	D	E	F	G	H	Finish
5901-1	mm 79	19	20	51	29				Black Powder Coated

Spring loaded steel bolt



Socket Bolts

Part No.	A	B	C	D	E	F	G	H	Finish
28-8	mm 23	100	16	15	82				Aluminium



Floor Trap Fastener

Part No.	A	B	C	D	E	F	G	H	Finish
6554	mm 58	36	55	25	35				Zinc Plated

