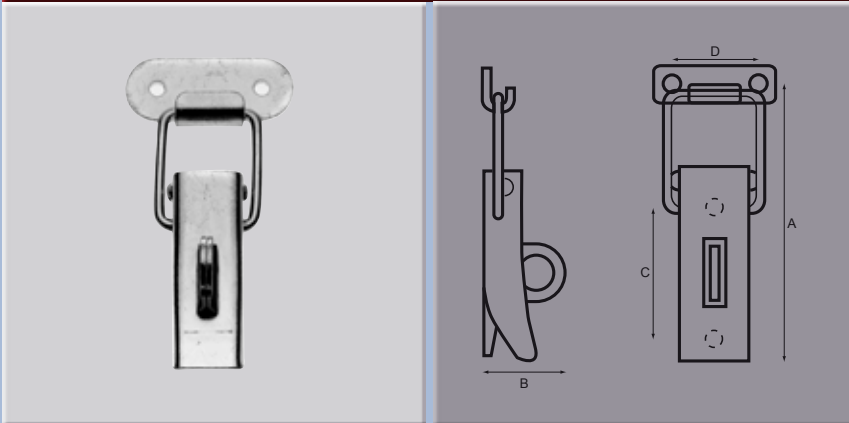


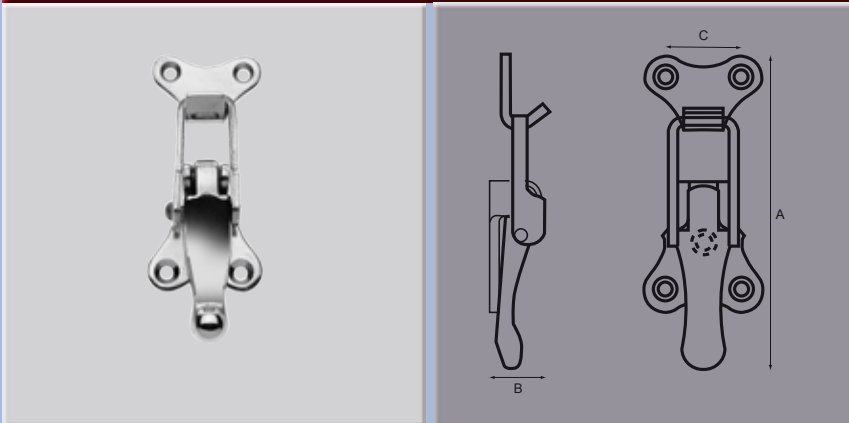


Throwover Catch



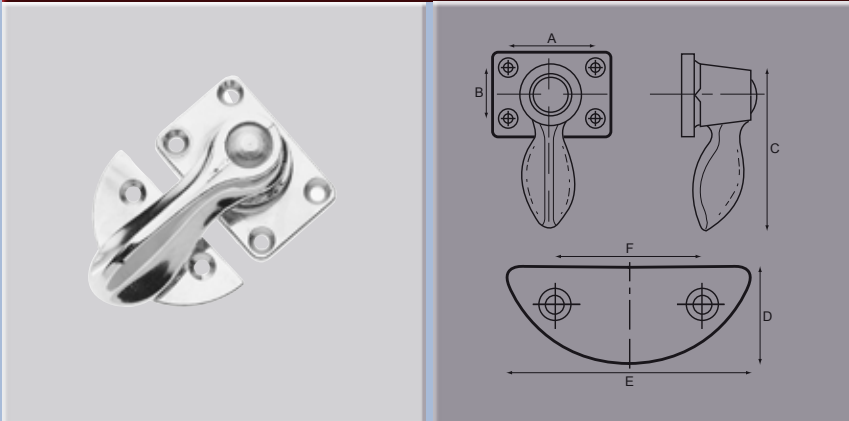
Part No.	A	B	C	D	E	F	G	H	Finish
9/00285	mm115	32	35	32					Zinc Plated

Motor Trunk Catch



Part No.	A	B	C	D	E	F	G	H	Finish
9617	mm 90	14	22						Chrome Plated

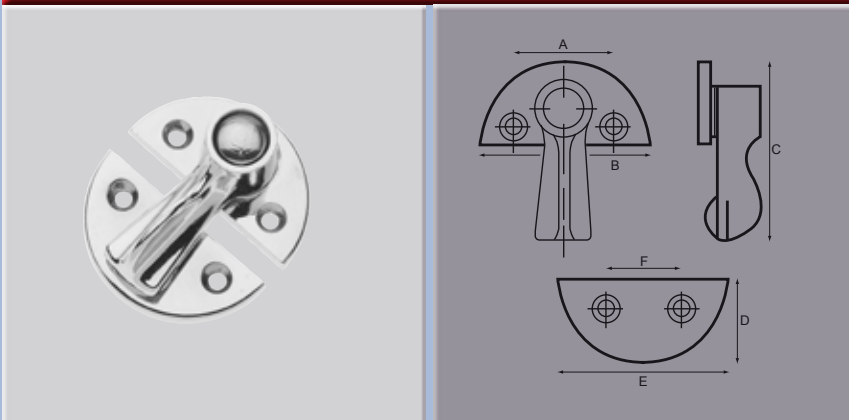
Graveley Fasteners



Part No.	A	B	C	D	E	F	G	H	Finish
6098-1	mm 33	19	65						Chrome Plated Fastener
6098-2	mm 24	14	50						Chrome Plated Fastener
6098-3	mm			32	63	38			Chrome Plated Plate
6098-4	mm			23	46	25			Chrome Plated Plate

Part No. 6098-3 has 3 fixing holes.

Graveley Fasteners



Part No.	A	B	C	D	E	F	G	H	Finish
6098-5	mm 29	48	51						Chrome Plated Fastener
6098-6	mm			24	48	29			Chrome Plated Plate