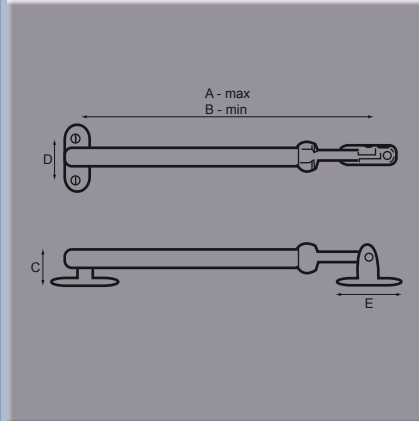




## Door Holder – Automatic

Part No.	A	B	C	D	E	F	G	H	Finish
6345-4	mm 346	216	30	40	37				Satin Chrome Plated

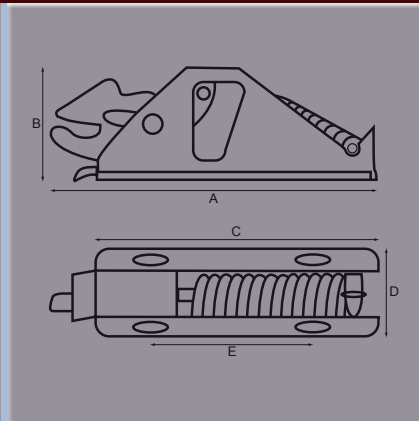
Adjustable friction tension.  
 Piston stroke 130mm.



## Slam Latch

Part No.	A	B	C	D	E	F	G	H	Finish
0306 12931	mm120	54	110	58	55				Zinc Plated

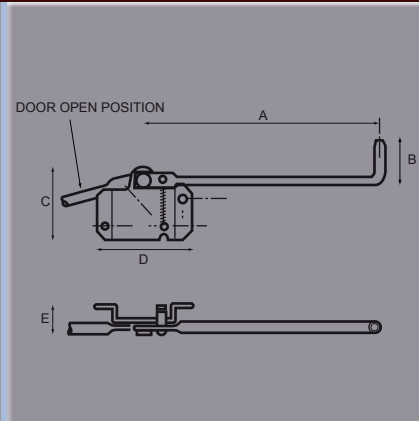
Steel body with polyamide catch.



## Over Centre Door Holder

Part No.	A	B	C	D	E	F	G	H	Finish
2537861DR	mm290	45	84	110	30				Stainless Steel
2537861GA	mm290	45	84	110	30				Stainless Steel
2537862DR	mm290	45	84	110	30				Zinc Plated
2537862GA	mm290	45	84	110	30				Zinc Plated

Drawing shows Part No. 2537861DR



## Toggle Catch

Part No.	A	B	C	D	E	F	G	H	Finish
5672	mm 95	21	12						Zinc Plated

