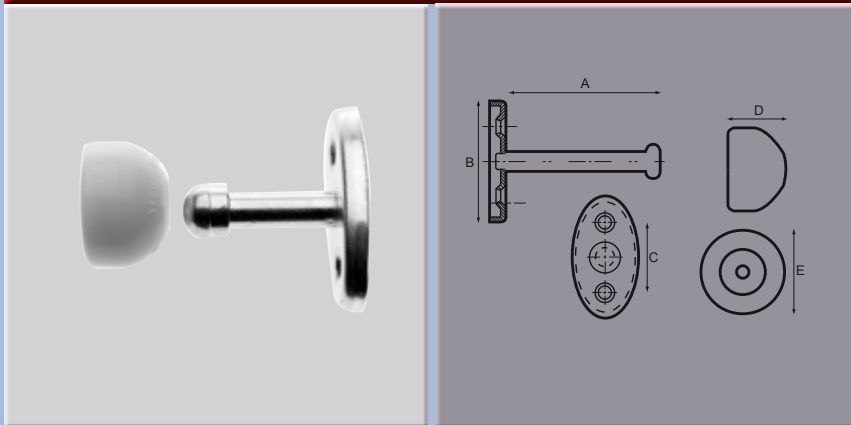




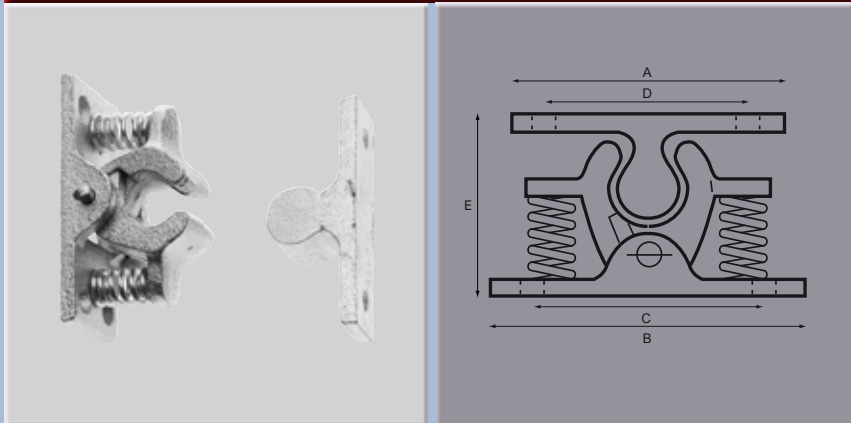
## Door Holder



Part No.	A	B	C	D	E	F	G	H	Finish
<b>38-1</b>	mm 25	56	31	23	33				Zinc Plated/White Nylon
<b>38-2</b>	mm 50	56	31	23	33				Zinc Plated/White Nylon

Socket adjustable for tension by means of fixing screw.

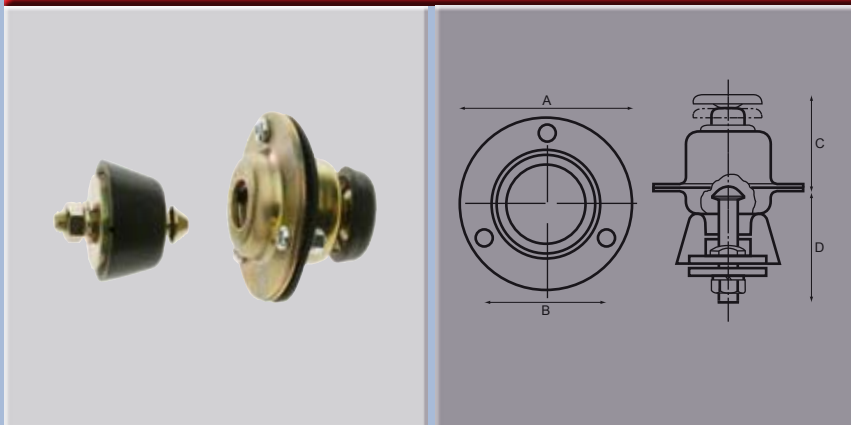
## Door Retaining Catch



Part No.	A	B	C	D	E	F	G	H	Finish
<b>6084</b>	mm 62	66	51	43	42				Zinc Plated

Plate width: female 29mm, male 20mm

## Door Holdback



Part No.	A	B	C	D	E	F	G	H	Finish
<b>2901</b>	mm 65	46	34	50					See below

Push button is cadmium plated – components rubber/steel.  
Strong catch suitable for arduous conditions such as tractor cabs.

**See our new magnetic door holdback - part No. 2903**