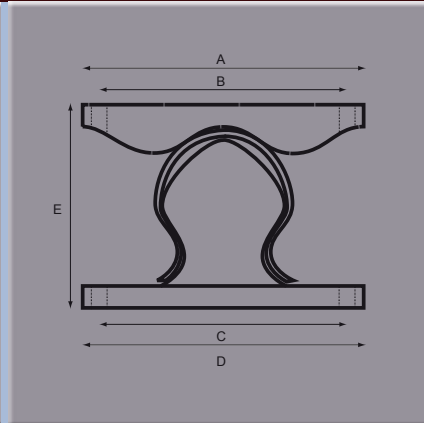




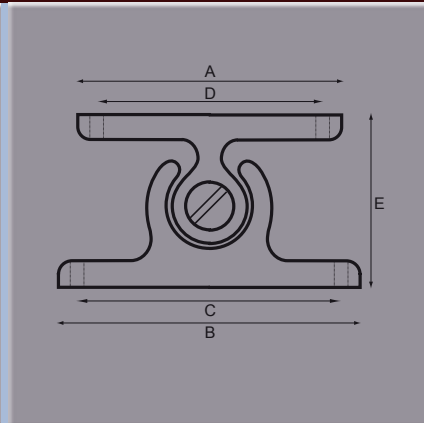
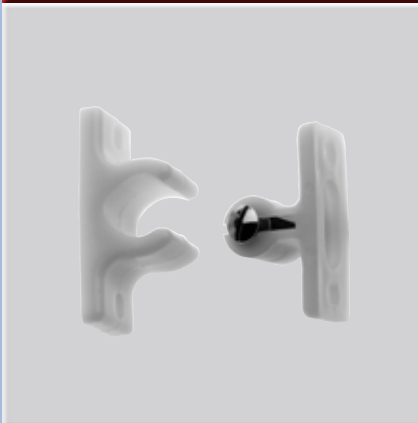
Door Retaining Catch



Part No.	A	B	C	D	E	F	G	H	Finish
2940	mm 40	29	29	40	27				Chrome Plated

White powder coated spring clip.

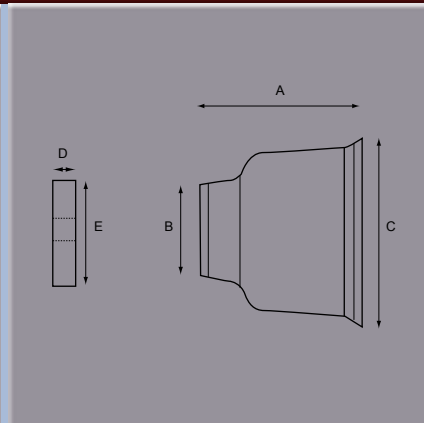
Door Retaining Catch



Part No.	A	B	C	D	E	F	G	H	Finish
2957	mm 58	67	53	42	42				White

Plate width 25mm – manufactured in toughened nylon with chrome plated adjusting screw set in black pvc bush.

Magnetic Door Retainer



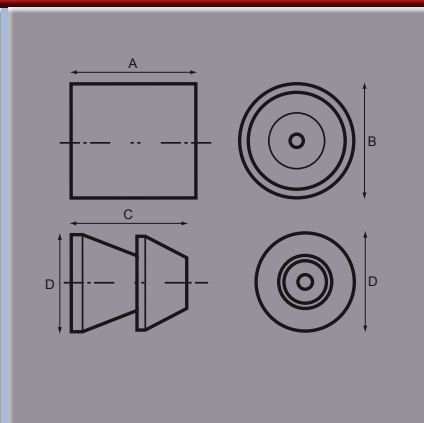
Part No.	A	B	C	D	E	F	G	H	Finish
2903	mm 43	22	54	6	28				Light Grey Neoprene Sleeve

Holding power 20Kg

Fixing holes: 5.5mm



Rubber Door Holder



Part No.	A	B	C	D	E	F	G	H	Finish
666	mm 33	40	27	24					Black

Female section – Steel fixing plate moulded into black rubber

Male section – Black polypropylene.