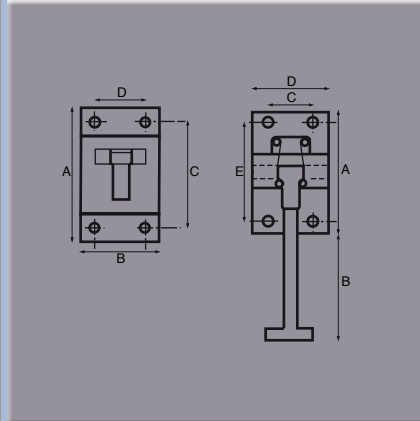




Door Retainers

Door Hold Back

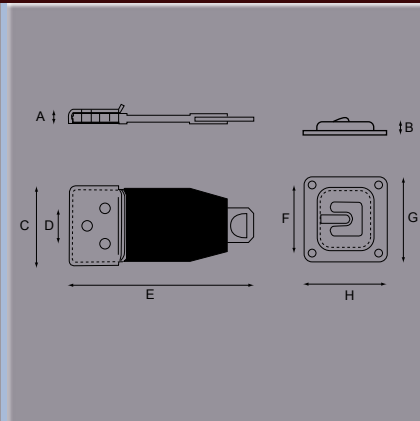
Part No.	A	B	C	D	E	F	G	H	Finish
0723 10944 Hold back	mm 65	39	24	40	53				Stainless Steel
072310945 Hold back	mm 65	57	24	40	53				Stainless Steel
0723 10950 Catch plate	mm 78	45	63	30					Stainless Steel
12524 Backing plate for hold-back									PVC
12525 Backing plate for catch plate									PVC



Door Retainer

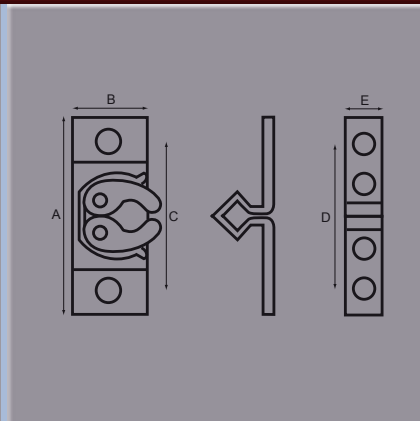
Part No.	A	B	C	D	E	F	G	H	Finish
0723 20381 Flexible polyurethane door retainer	mm 8	12	45	20	123	48	60	60	Stainless Steel

Fixing holes: 5.25mm



Door Retaining Catch

Part No.	A	B	C	D	E	F	G	H	Finish
2958 Pressed steel with self lubricating polyethylene jaws.	mm 52	20	41	41	8				Zinc Plated



Door Retaining Catch

Part No.	A	B	C	D	E	F	G	H	Finish
3700-1 Complete catch	mm 66	43	66	43	45				White

Made from high strength polyacetal particularly suited for fitting to plastic or glass fibre panels – jaws are self aligning. Springs in stainless steel.

