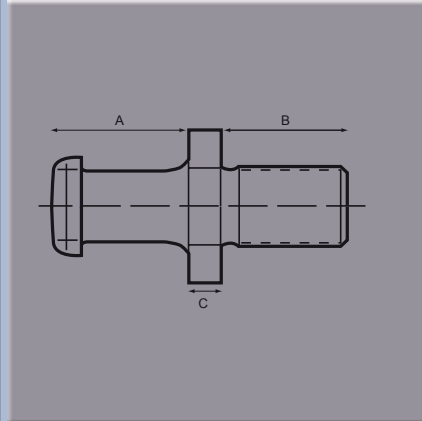




## Striker Pin

| Part No. | A     | B  | C | D | E | F | G | H | Finish      |
|----------|-------|----|---|---|---|---|---|---|-------------|
| 6000583  | mm 24 | 18 | 5 |   |   |   |   |   | Zinc Plated |

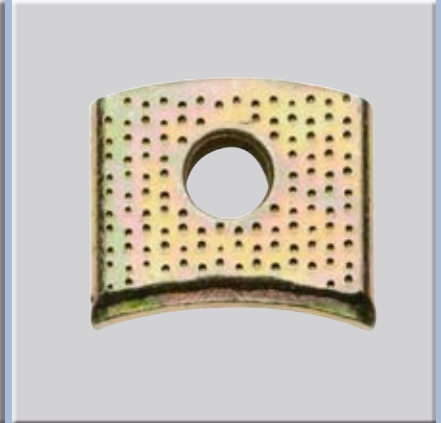
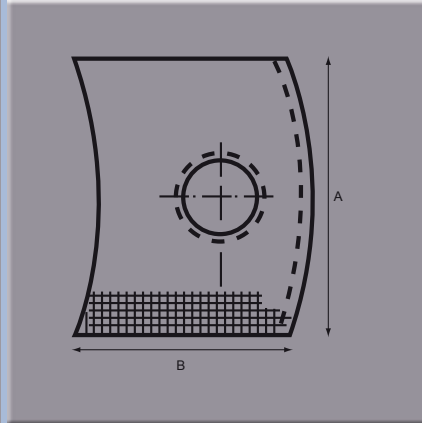
Thread M12



## Threaded Plate

| Part No. | A     | B  | C | D | E | F | G | H | Finish                  |
|----------|-------|----|---|---|---|---|---|---|-------------------------|
| 6000585  | mm 31 | 39 |   |   |   |   |   |   | Yellow Galvanised Steel |

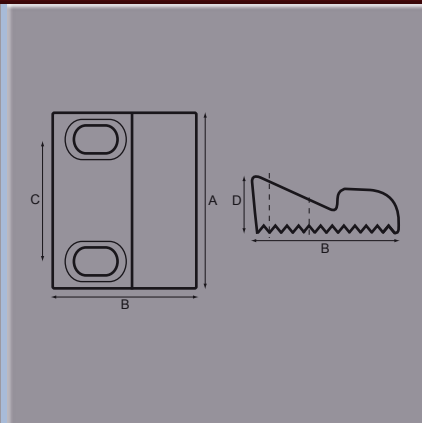
Thread M12



## Die Cast Striker

| Part No. | A     | B  | C  | D  | E | F | G | H | Finish      |
|----------|-------|----|----|----|---|---|---|---|-------------|
| 23999    | mm 38 | 32 | 26 | 12 |   |   |   |   | Zinc Plated |

Slot size 8mm x 5mm.



## Door Dovetail

| Part No. | A     | B  | C  | D  | E | F | G | H | Finish    |
|----------|-------|----|----|----|---|---|---|---|-----------|
| DW1      | mm 78 | 82 | 35 | 36 |   |   |   |   | See below |

Female in steel (A).  
 Male in black rubber coated steel (B).  
 Combined depth 19mm

