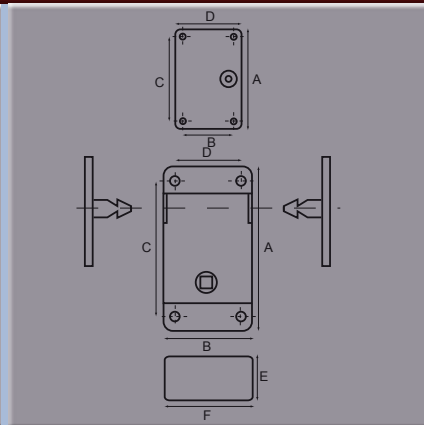




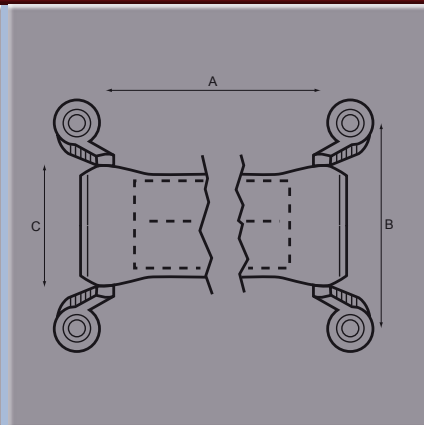
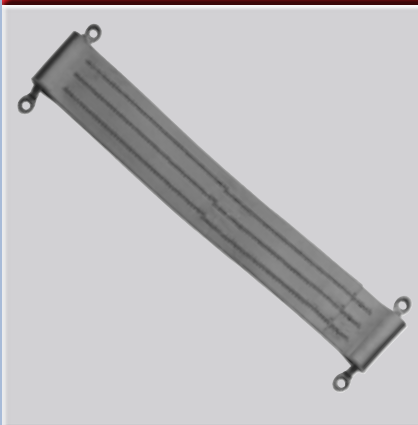
Sliding Door Lock



Part No.	A	B	C	D	E	F	G	H	Finish
2406-1 Locking	mm106	53	93	35	20	53			Zinc Plated
2406-2 Non-locking	mm106	53	93	35	20	53			Zinc Plated
2406-3 Striker plate	mm 77	20	55	39					Zinc Plated

Button on locking version 9mm projection.

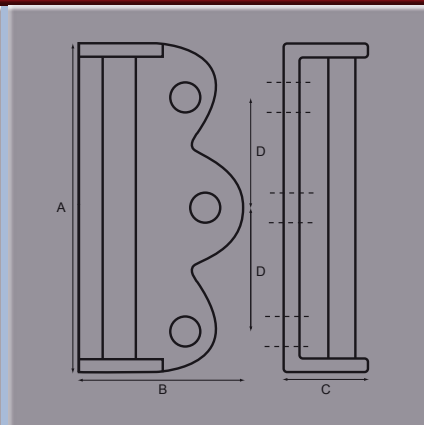
Leather Check Straps



Part No.	A	B	C	D	E	F	G	H	Finish
4393	mm200	80	50						Brown
4393-1	mm325	80	50						Brown

Fixing staples - black powder coated.

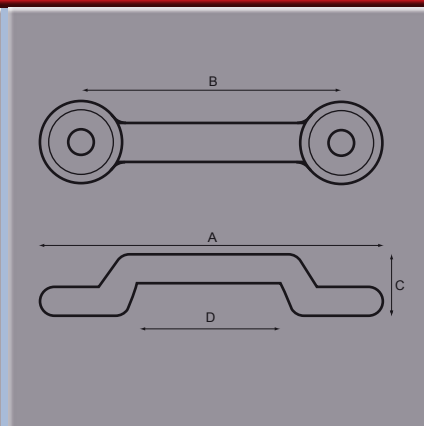
Check Strap Fittings



Part No.	A	B	C	D	E	F	G	H	Finish
6526-2	mm 62	31	20	23					Chrome Plated

Supplied as pair.
To suit 50mm check strap.

Staples



Part No.	A	B	C	D	E	F	G	H	Finish
154-5	mm 95	81	20	51					Chrome Plated
154-6	mm 64	49	15	26					Black Powder Coated
154-7	mm 70	55	14	32					Black Powder Coated
154-10	mm 95	81	20	51					Black Powder Coated