



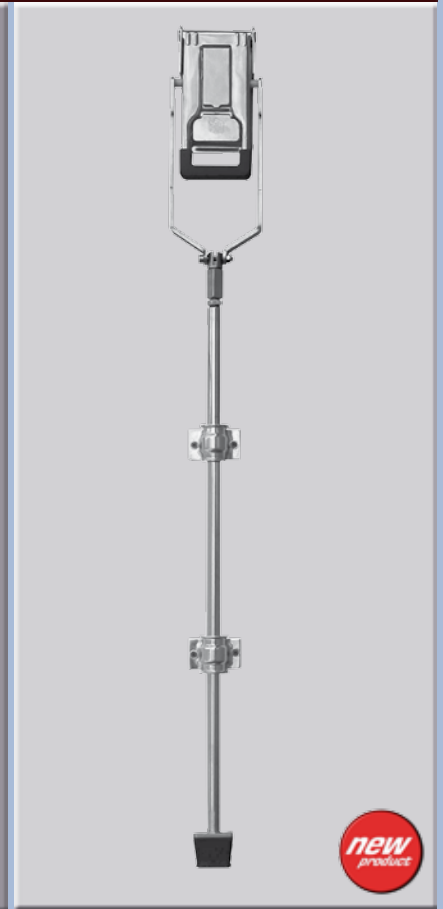
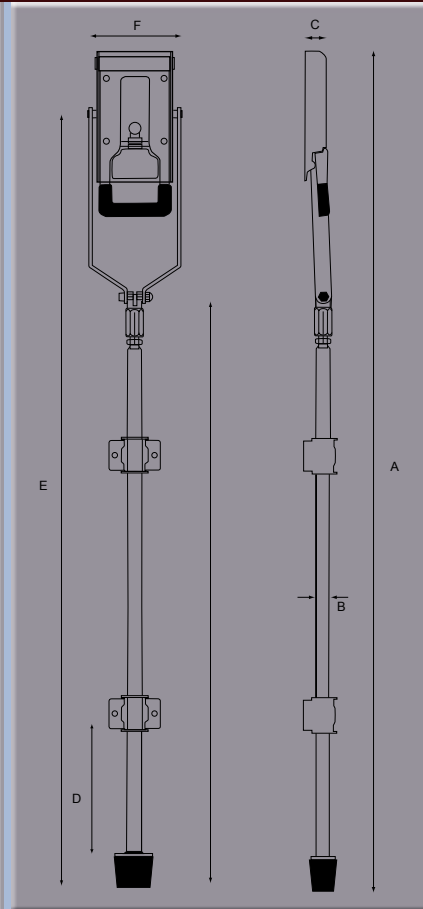
Bulkhead Lock

Part No.	A	B	C	D	E	F	G	H	Finish
0724 25625	mm1307	22	32	200	1212	144			Stainless Steel

A complete vertical securing system for bulkhead doors.

All stainless Steel, complete with 22mm tube. Adjustable for tension after fitment.

For bulkhead systems click on Hinges and Stays



Sliding Door Gear

Part No.	A	B	C	D	E	F	G	H	Finish
1601-1	mm 38	54	610	27	32				Zinc Plated
1601-2	mm 38	54	686	27	32				Zinc Plated
1601-3	mm 38	54	762	27	32				Zinc Plated
1601-5	mm 38	54	915	27	32				Zinc Plated
1601-7	mm 38	54	1067	27	32				Zinc Plated
1602-1	mm1220	10	26						Zinc Plated
1602-3	mm1525	10	26						Zinc Plated
1602-7	mm2135	10	26						Zinc Plated
1603A	mm 50	40	50	32	39				Zinc Plated

C=Door width - top track

