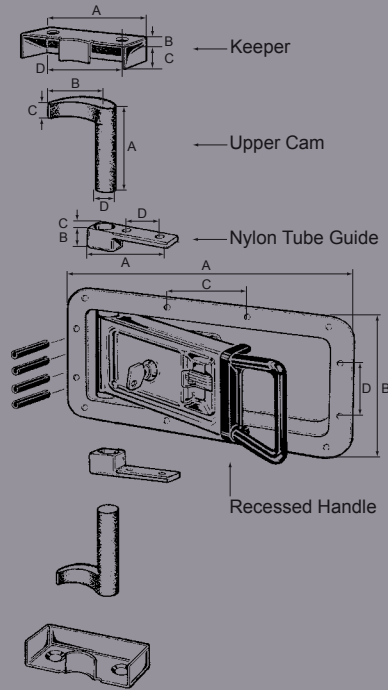




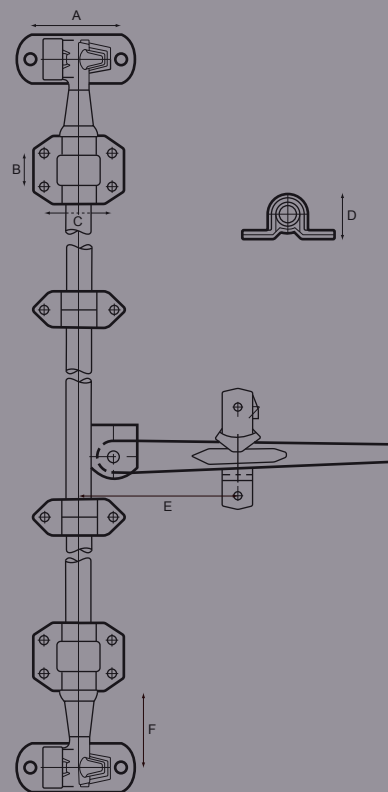
Recessed Door Locking Mechanism



Part No.	A	B	C	D	E	F	G	H	Finish
1040									
Handle	mm314	144	92	58					Zinc Plated
Keeper	mm 84	29	19	55					Zinc Plated
Cam	mm 70	40	13	16					Zinc Plated
Guide	mm 92	21	24	30					Nylon

Handle recessed 34mm.

External Anti-Rack Two Point Door Lock



Part No.	A	B	C	D	E	F	G	H	Finish
2000-3									
	mm105	38	76	47	178	87			Zinc Plated

Fixing hole diameter 10.5mm
27mm bar not supplied

This lock has specially located double locking clamps and keepers which provide maximum protection of locks and doors. Special anti racking is provided by square lugs firmly held in case pockets which prevent excess movement and possible lock disengagement