



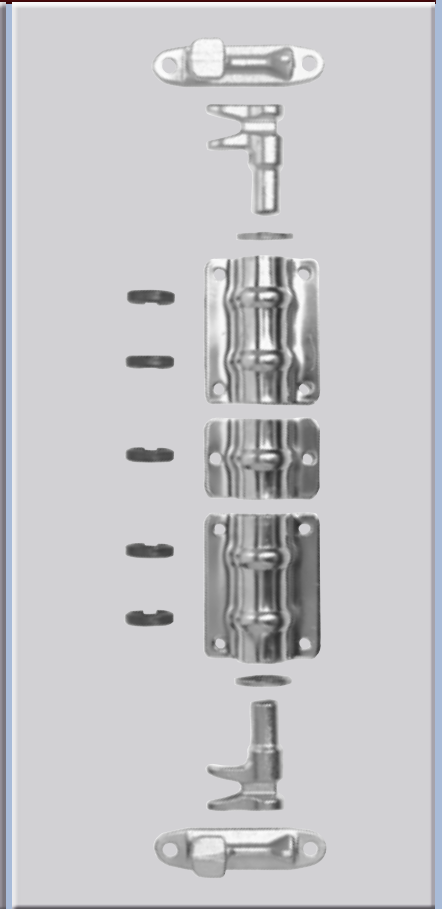
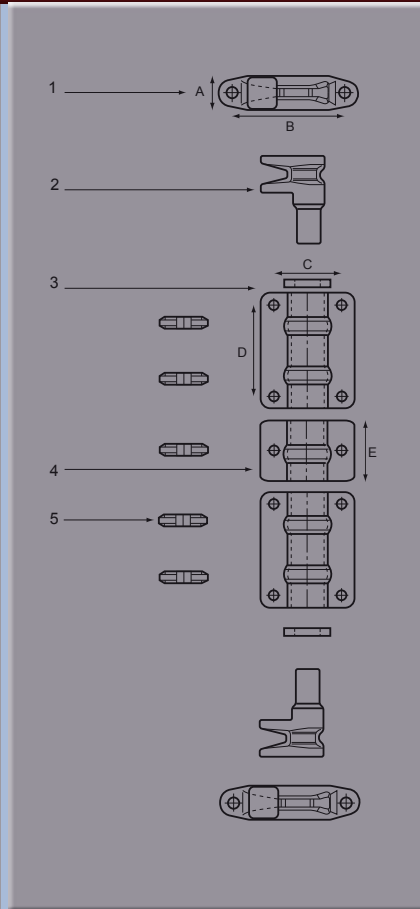
Stainless Door Gear

27mm Stainless Steel Locking Gear

Part No.	A	B	C	D	E	F	G	H	Finish
0712 23592	mm 31	100	60	82	58				Stainless Steel

Consisting of:

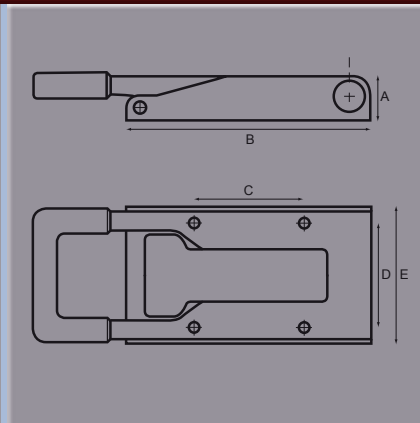
1	Keepers	x	2						
2	Cams	x	2						
3	Washers	x	2						
4	Clamps	x	3						
5	Bushes	x	5						



Stainless Steel Handle - 27mm Tube

Part No.	A	B	C	D	E	F	G	H	Finish
0719 20324	mm 41	212	95	92	120				Stainless Steel.

External handle can be opened from inside using Part No. 0719 22131



Refrigerator Lock - with Internal Release

Part No.	A	B	C	D	E	F	G	H	Finish
M6	mm 270	56	86	78	52	50	110	50	Chrome Plated

To suit flush doors

Overall length of inside release handle is 255mm.

Handle and striker material - high pressure die cast zinc chrome plated.

Inside handle material - glass fibre rod, with stainless steel flange and spring.

Knob in fluorescent safety glow plastic.

Striker for offset door available to special order (offset 35 - 65mm)

