

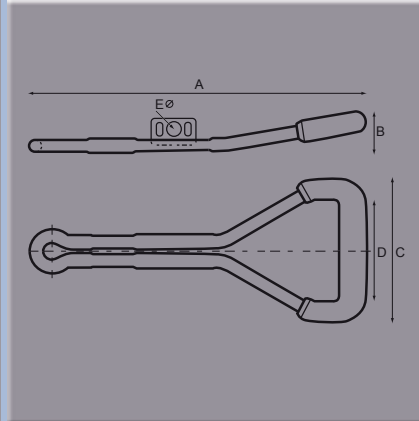


Stainless Door Gear

Stainless Steel Delta Handle

Part No.	A	B	C	D	E	F	G	H	Finish
0719 15128	mm310	36	132	92	13				Stainless Steel.

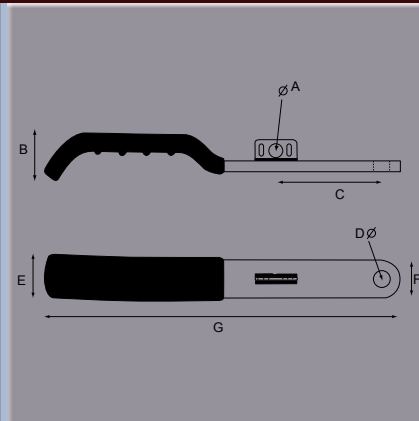
Handle coated to improve grip when opening doors.



Stainless Steel Lever Handle

Part No.	A	B	C	D	E	F	G	H	Finish
0719 22018A	mm13	45	100	16	40	35	334		Stainless Steel

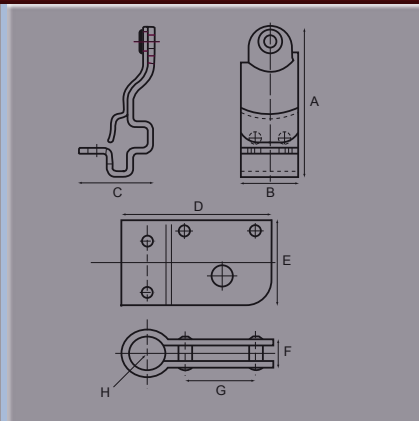
Stainless steel handle with coated grip



Stainless Steel Lever Stay and Clamp

Part No.	A	B	C	D	E	F	G	H	Finish
0712 22168	mm106	40	51	88	55	19	41	22	Stainless Steel
0712 22181A	mm106	40	51	88	55	19	41	27	Stainless Steel

Standard lever lock with holes for padlock and customs seal complete with bush. Lever fastened by welding.



TIR Stainless Steel Retainer Kit

Part No.	A	B	C	D	E	F	G	H	Finish
0712 22182A	mm196	78	170	58	27	88	55	41	Stainless Steel

Lever stay with spring cover to enclose customs seal.
 Supplied complete with pin, screw, nut and bush

