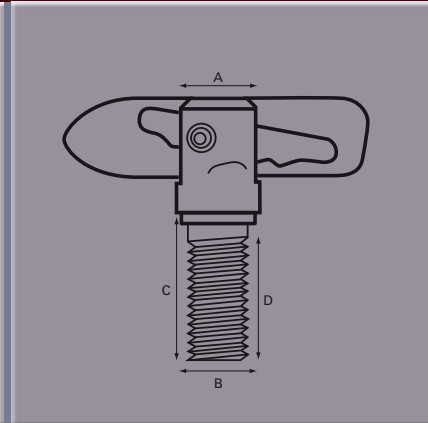




Anti-Luce Fasteners – Bolt On – 19mm Body

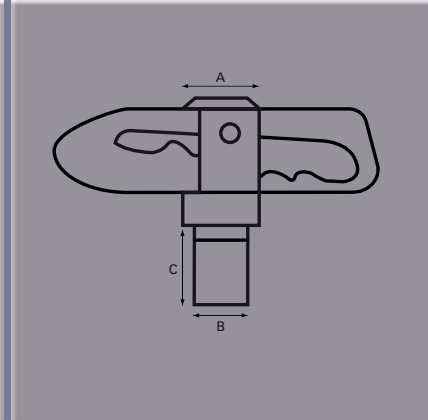


Part No.	A	B	C	D	E	F	G	H	Finish
3244	mm 19	12	75	69					Zinc Plated
3263	mm 19	12	25	19					Zinc Plated
3275	mm 19	12	33	28					Zinc Plated

3244 supplied complete with nut and washer.

All for 6mm ironwork.

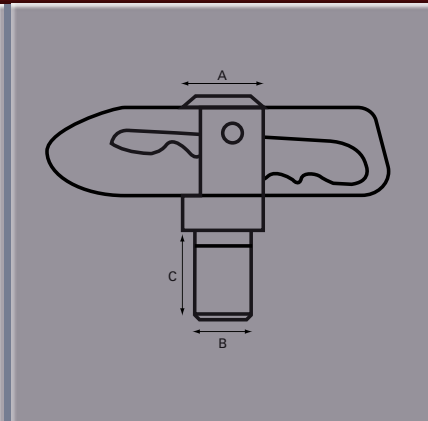
Anti-Luce Fastening Lugs – Weld On – 19mm Body



Part No.	A	B	C	D	E	F	G	H	Finish
3232	mm 19	12	12						Zinc Plated

3232 for 6mm ironwork.

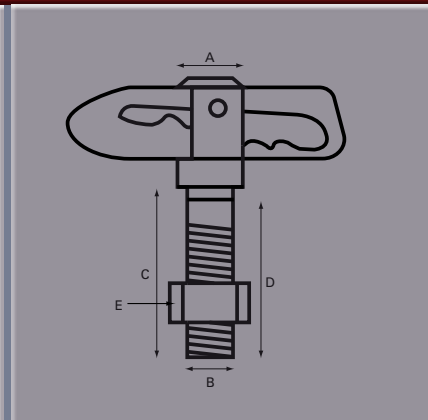
Baby Anti-Luce Fastener – for Light Vehicles



Part No.	A	B	C	D	E	F	G	H	Finish
3274	mm 13	8	10						Zinc Plated

For 6mm ironwork.

Baby Anti-Luce Fastener



Part No.	A	B	C	D	E	F	G	H	Finish
3285	mm 13	8	21	18	M8				Zinc Plated

Supplied with nut and washers for 6mm ironwork.